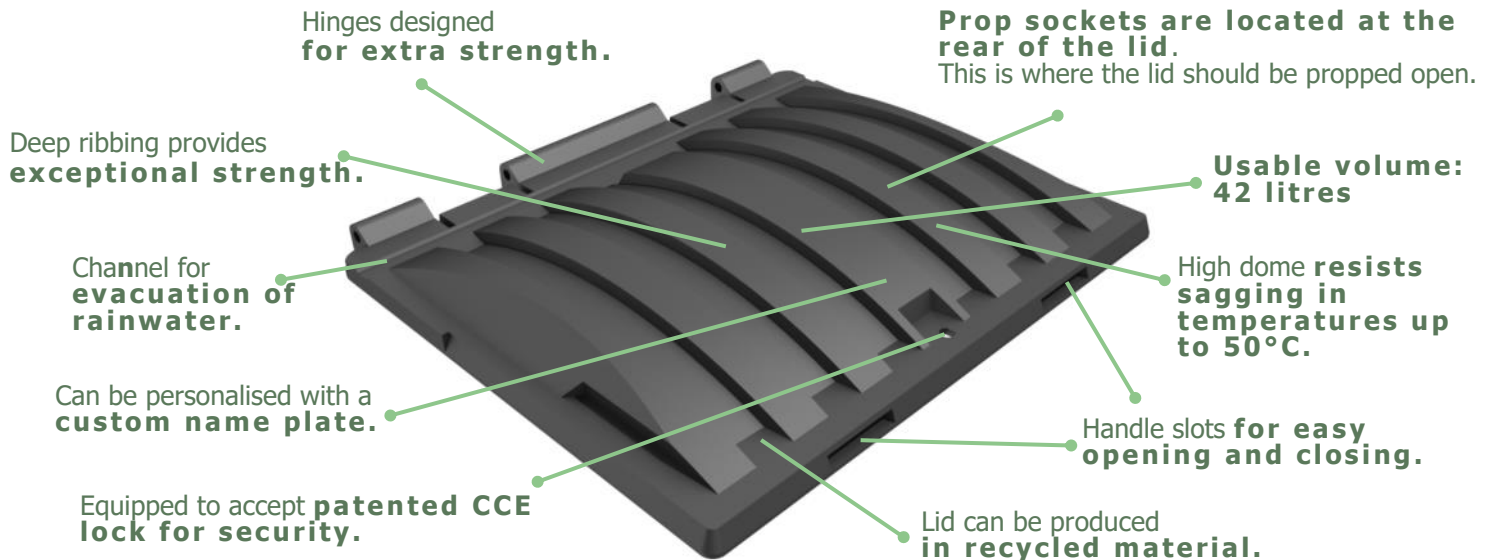




# MH1100 DURAFLEX® LID FOR 1100 L BINS

DESIGNED TO FIT PLASTIC & METAL BINS

*LIGHTWEIGHT - ROBUST - USER FRIENDLY - COST EFFICIENT*



To fit European 1100 l containers. Also used on mini-skips.

## TECHNICAL DIMENSIONS

### AVAILABLE ACCESSORIES

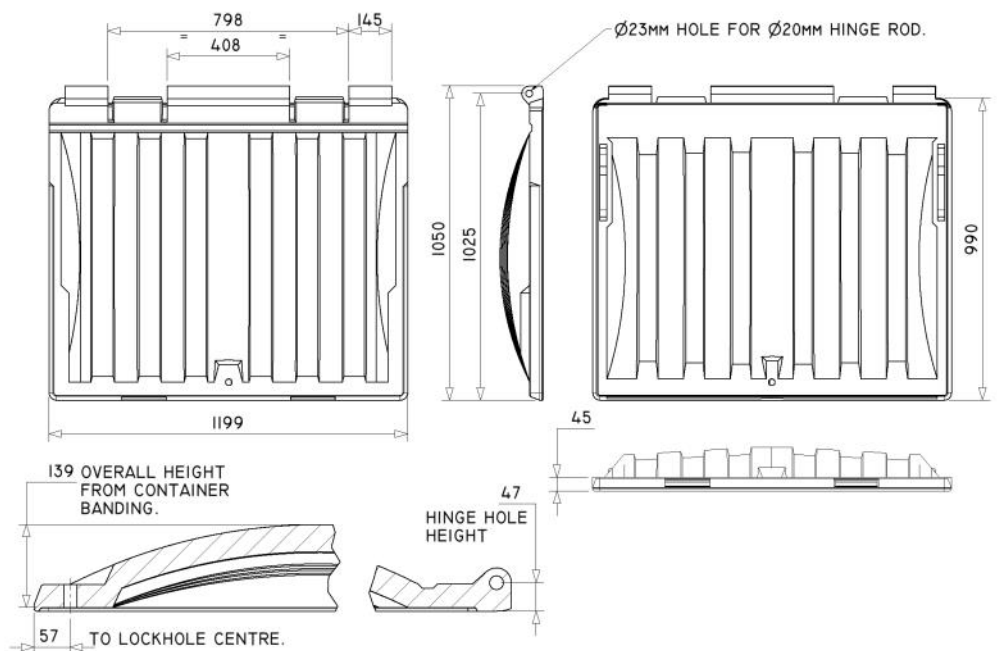
> plastic hinge bar, plastic hinge adaptors and locks & keys.

### MATERIAL

> Rotationally moulded from UV-stabilized LMDPE; double-walled; oil, chemical and frost resistant; 100% recyclable.

### COLOURS

> Available in black and a wide variety of colours.



enq@duraflexlids.co.uk — 0044 1246 853696

www.duraflexlids.co.uk



ISO 9001 : 2015  
ISO 14001 : 2015

Cert No. 8998