



MA4938 FLAT DURAFLEX® LID

FOR 1100 LTR 4 WHEELED CONTAINERS.

LIGHTWEIGHT - ROBUST - USER FRIENDLY - COST EFFICIENT



7 ribs for **optimal strength.**

Can be personalised with a **custom name plate.**

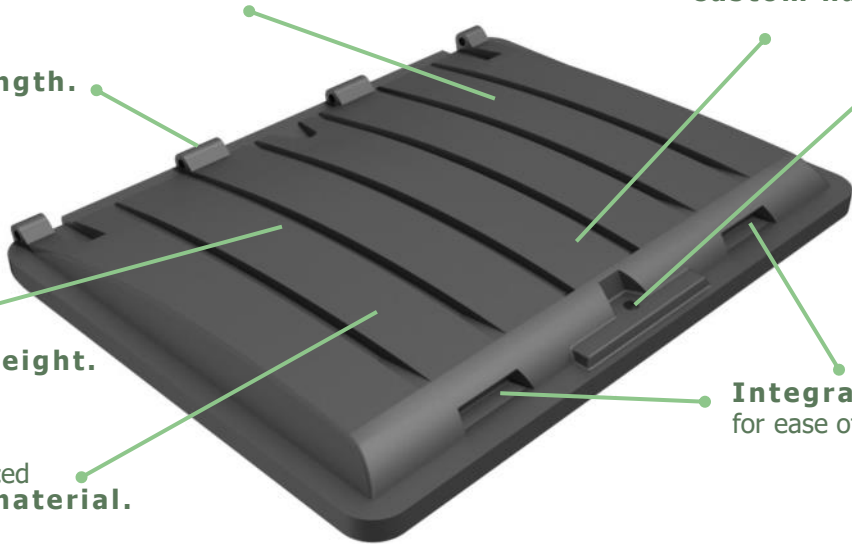
4 hinge lugs for **optimal strength.**

Equipped to accept **patented CCE lock for security.**

Nestable design for **cost-effective freight.**

Integral front handles for ease of opening.

Lid can be produced in **recycled material.**



To fit **Storm and Straight 1100 ltr. bins.**

TECHNICAL DIMENSIONS

AVAILABLE ACCESSORIES

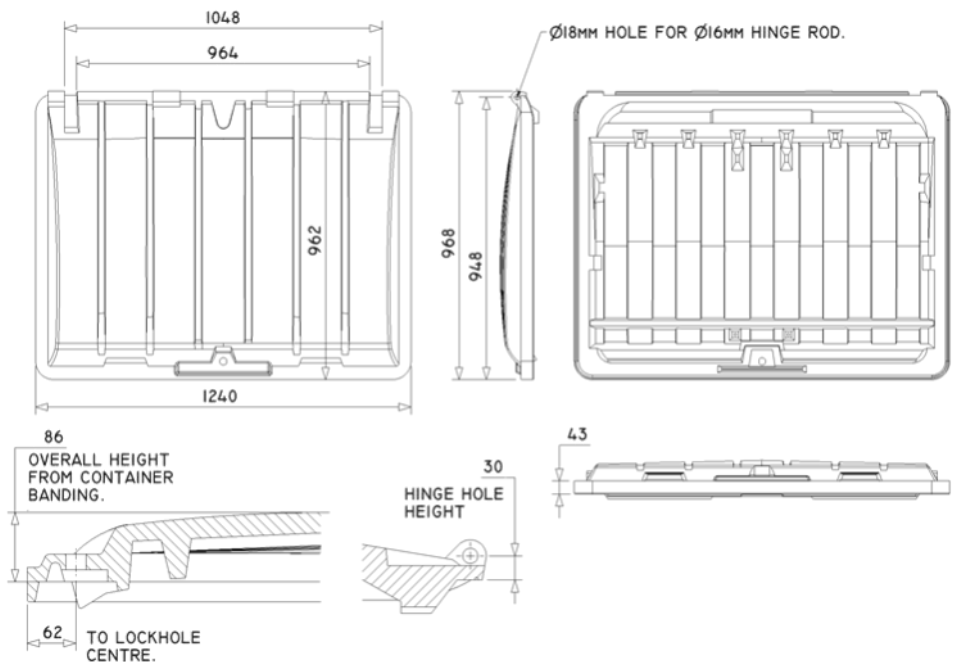
> hinge bar, brackets & locks.

MATERIAL

> Rotationally moulded from **UV - stabilized LMDPE; double-walled; oil, chemical and frost resistant; 100% recyclable.**

COLOURS

> Available in **black** and a **wide variety of colours.**



enq@duraflexlids.co.uk — 0044 1246 853696

www.duraflexlids.co.uk



ISO 9001 : 2015
ISO 14001 : 2015

Cert No. 8998