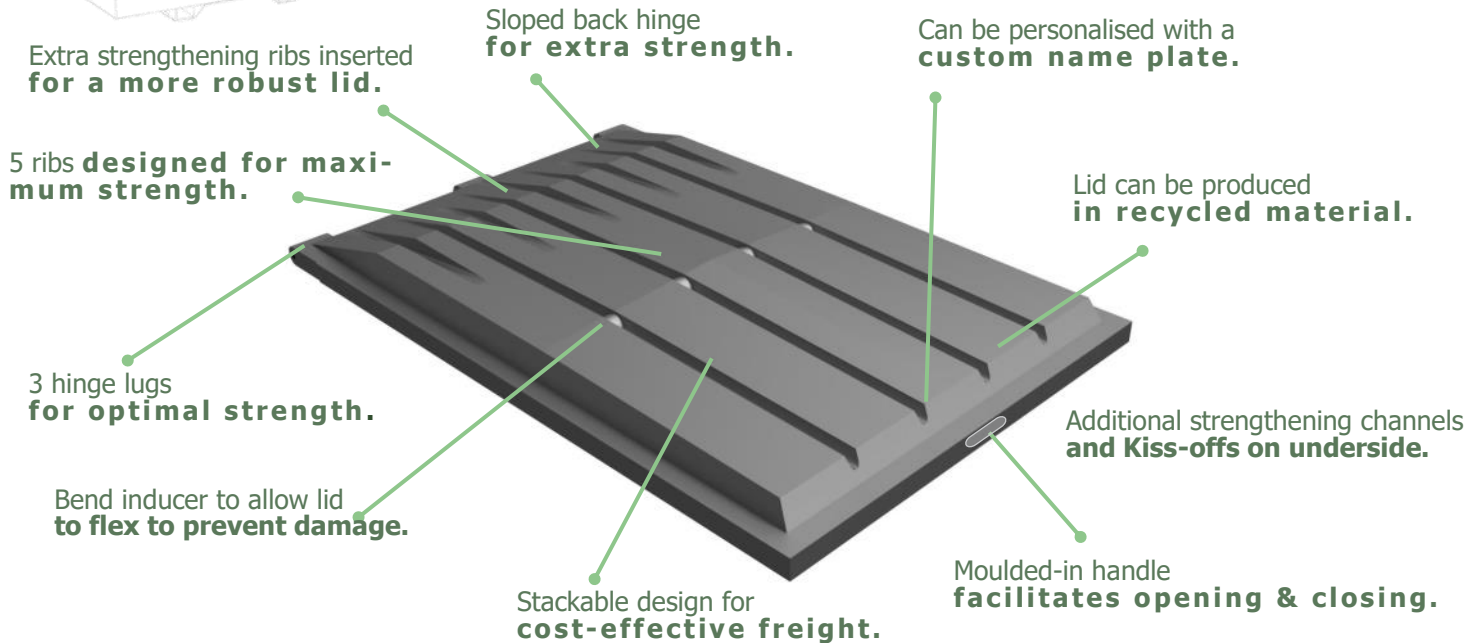


FM3757 TOP HINGED FEL LID

NORMALLY USED AS A PAIR.

LIGHTWEIGHT - ROBUST - USER FRIENDLY - COST EFFICIENT



Mainly used on 'Wendy house' style containers and in Germany on FEL containers.

OPTIONS

> Also available as with a small opening & rubber flap (AR3757) or as overlapping lid pair FO3757MM&SM.

AVAILABLE ACCESSORIES

> hinge plates & hinge bar.

MATERIAL

> Rotationally moulded from UV - stabilized LMDPE; double-walled; oil, chemical and frost resistant; 100% recyclable.

COLOURS

> Available in black and a wide variety of colours.



TECHNICAL DIMENSIONS

