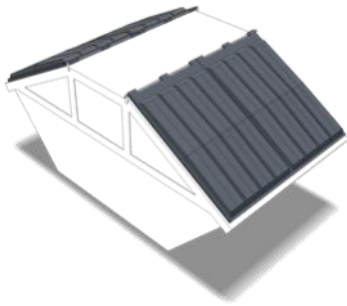


AB3547 TOP HINGED FEL LID

NORMALLY USED AS A PAIR.

LIGHTWEIGHT - ROBUST - USER FRIENDLY - COST EFFICIENT



3 hinge lugs for optimal strength.

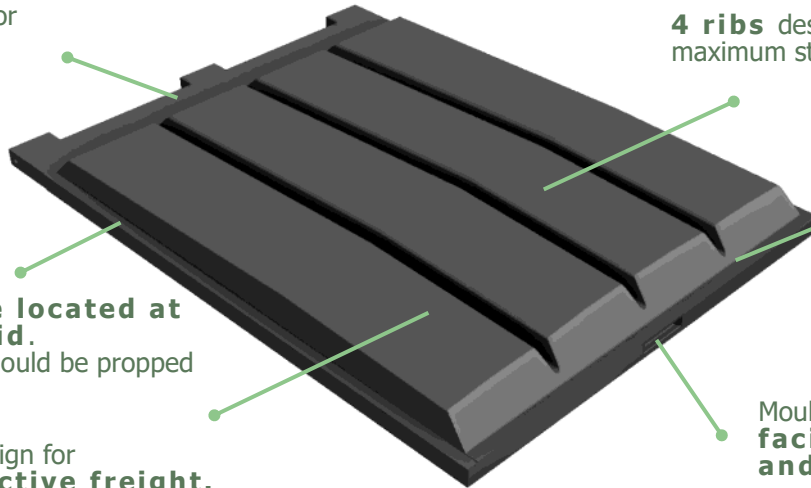
4 ribs designed for maximum strength.

Equipped to accept an **automatic lock**.

Prop sockets are located at the rear of the lid. This is where the lid should be propped open.

Nestable design for **cost-effective freight**.

Moulded-in handle **facilitates opening and closing**



Also used on symmetrical skips.

TECHNICAL DIMENSIONS

AVAILABLE ACCESSORIES

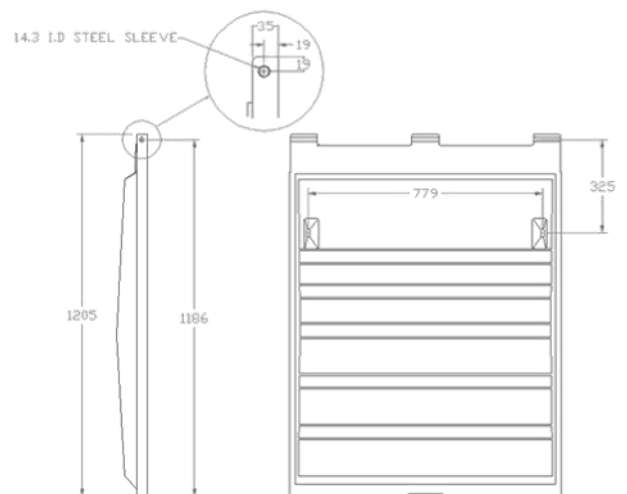
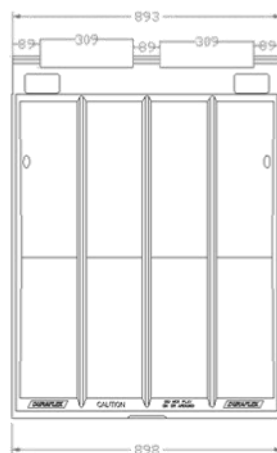
> **automatic lock.**

MATERIAL

> Rotationally moulded from **UV - stabilized LMDPE; double-walled; oil, chemical and frost resistant; 100% recyclable.**

COLOURS

> Available in **black** and a **wide variety of colours.**



enq@duraflexlids.co.uk — 0044 1246 853696

www.duraflexlids.co.uk



ISO 9001 : 2015
ISO 14001 : 2015

Cert No. 8998